
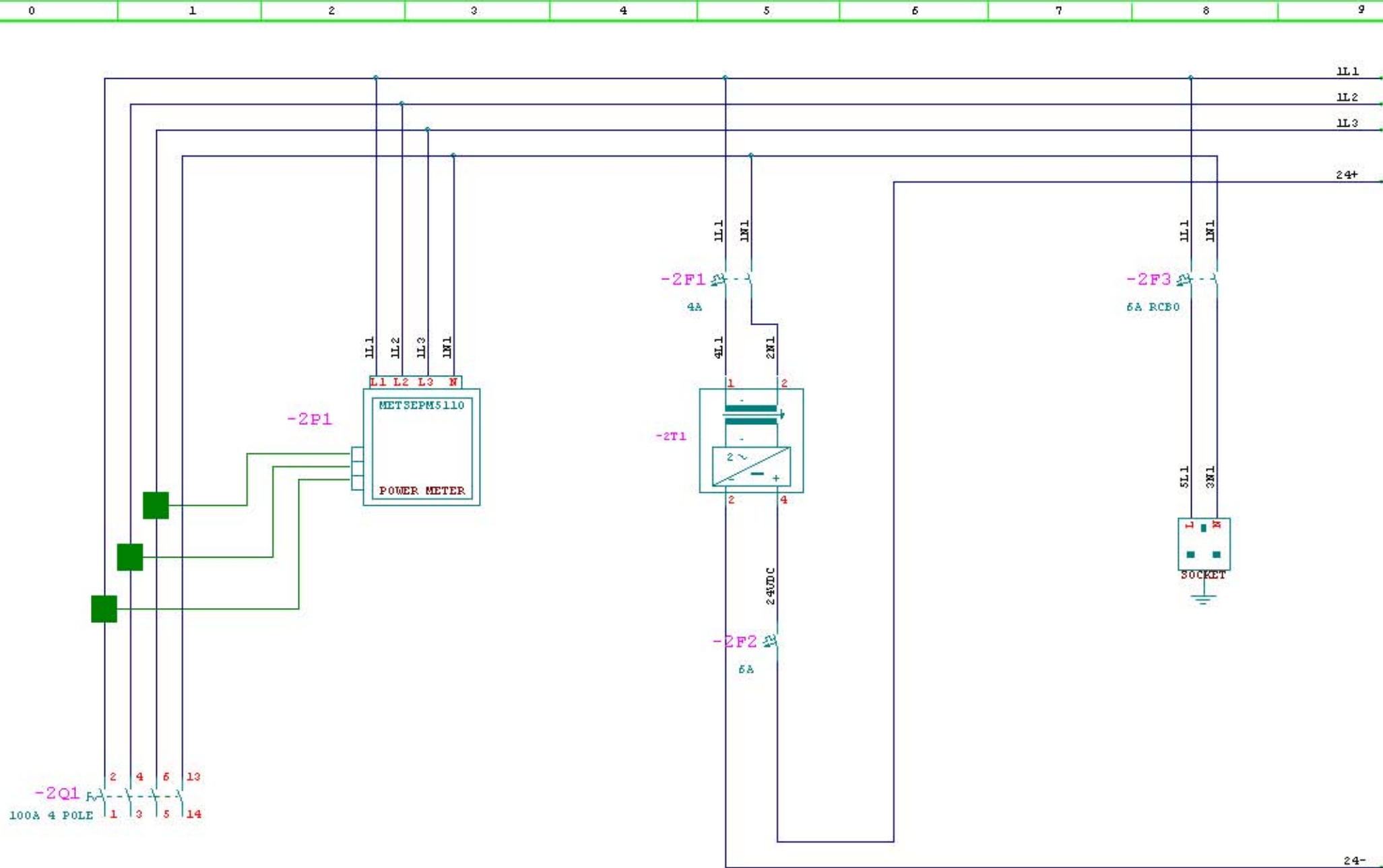




CCEP TRADE EFFLUENT PUMP CONTROL PANEL



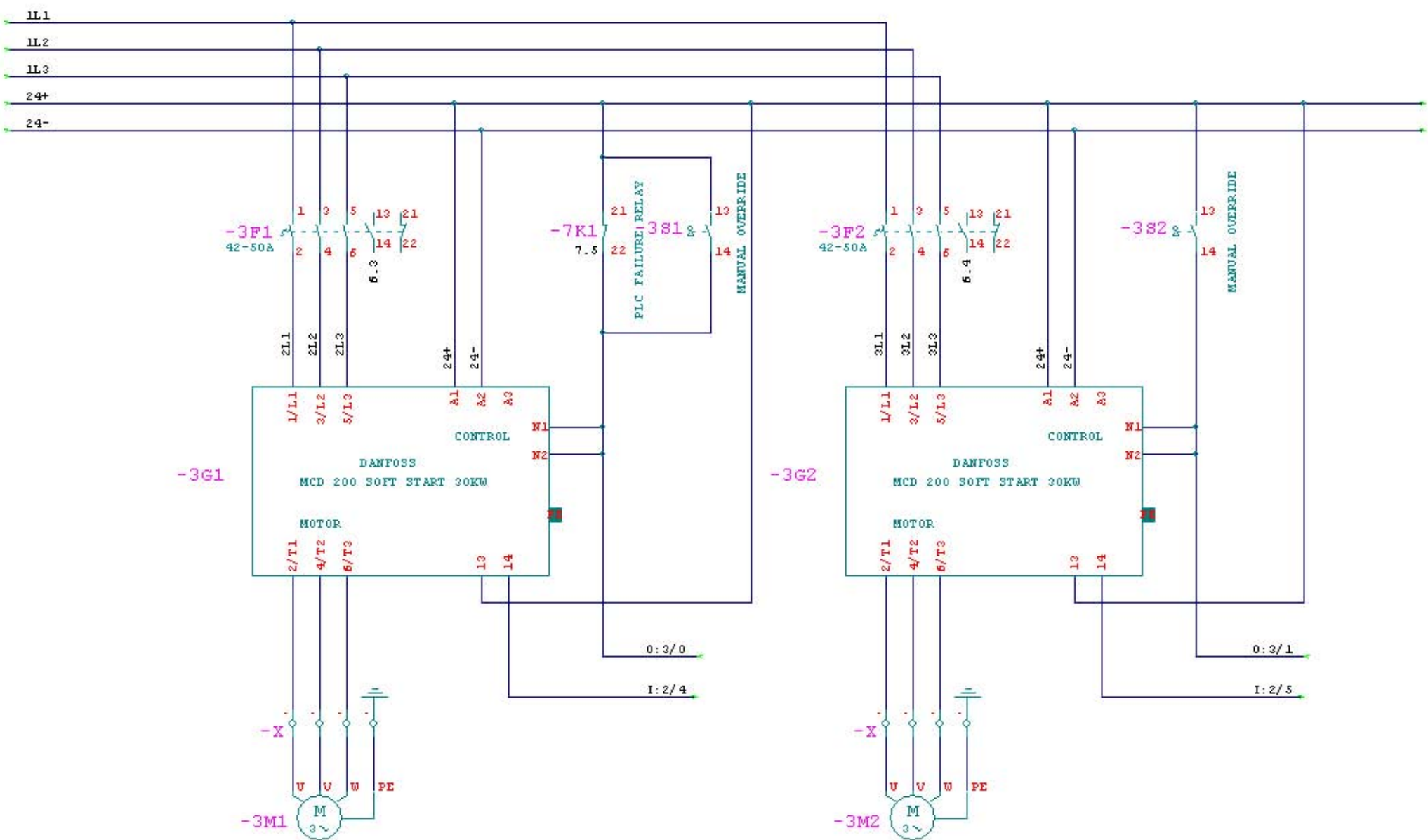
			Date	26.02.2017	EFFLUENT PUMP CONTROL Coca Cola Enterprises LTD CCEP E&A STANDARDS REV 6				1597	= +	page 1 of 10 pg.	
			Drawn by	Ben Smith								
			Checked									
Rev'n	Rev'n detail	Date	Drawn by	Norm	source	substitute for	replaced with					
0			1		2	3	4	5	6	7	8	9



Date	26.02.2017			
Drawn by	Ben Smith			
Checked				
Rev'n	Rev'n detail	Date	Drawn by	Norm

EFFLUENT PUMP CONTROL Coca Cola Enterprises LTD CCEP E&A STANDARDS REV 6	source substitute for replaced with
--	---



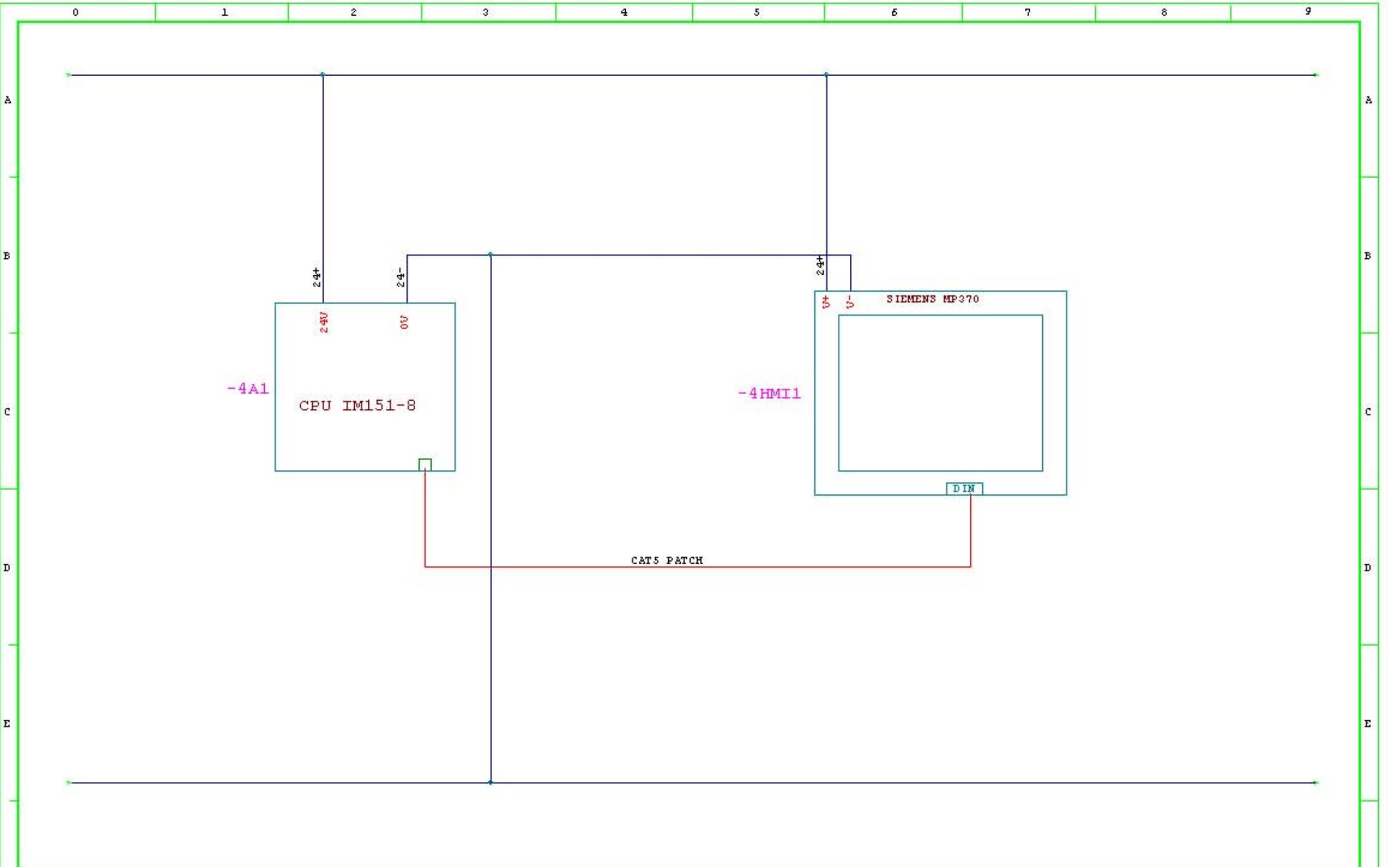


Rev'n	Rev'n detail	Date	Drawn by	Norm

Date: 26.02.2017  
 Drawn by: Ben Smith  
 Checked:   
 EFFLUENT PUMP CONTROL  
 Coca Cola Enterprises LTD  
 CCEP E&A STANDARDS REV 6

source	substitute for	replaced with

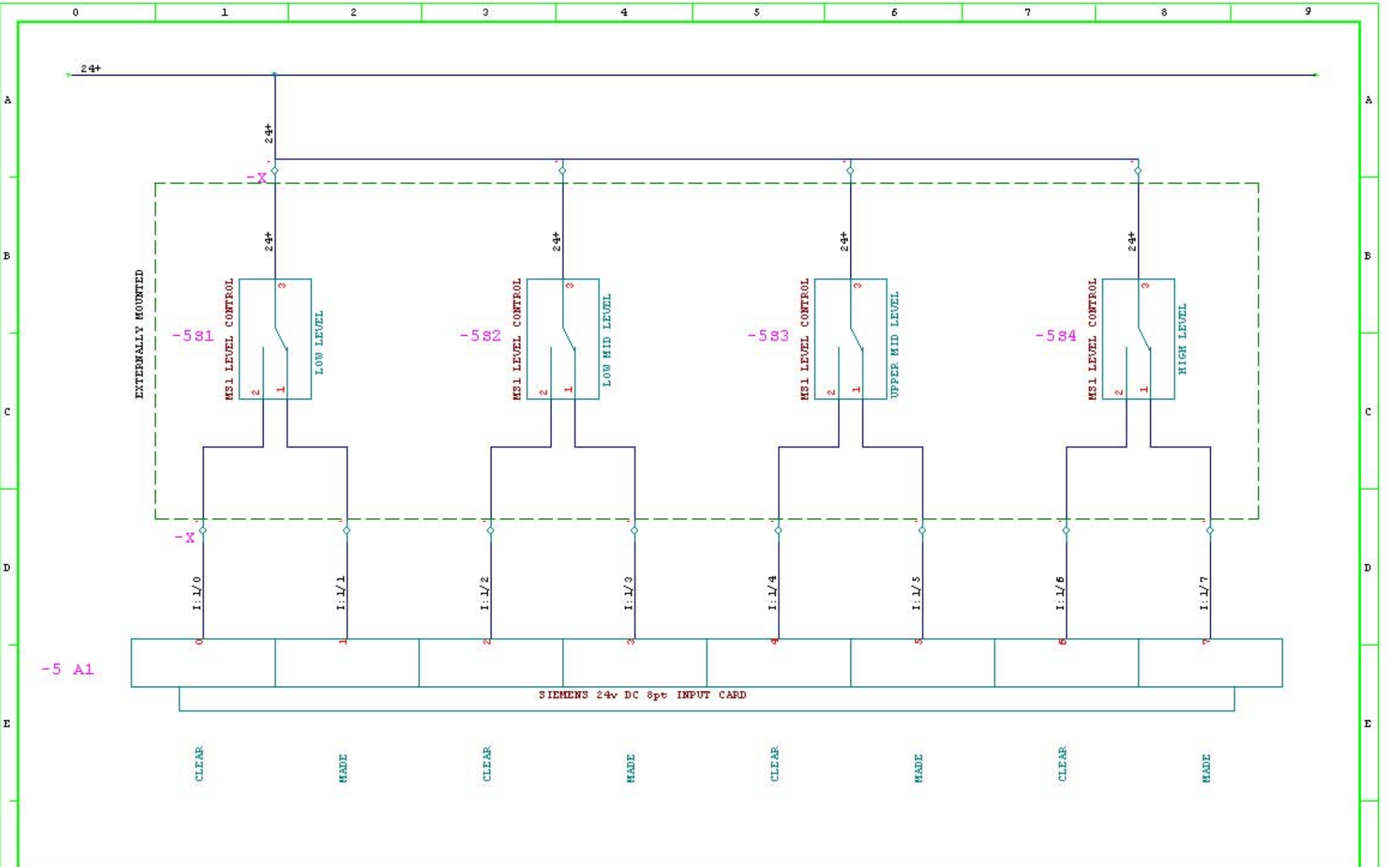




		Date	26.02.2017		EFFLUENT PUMP CONTROL									
		Drawn by	Ben Smith		Coca Cola Enterprises LTD									
		Checked			CCEP E&A STANDARDS REV 6									
Rev'n	Rev'n detail	Date	Drawn by	Norm	source	substitute for	replaced with							
0			1		2	3	4	5	6	7	8	9		



1597

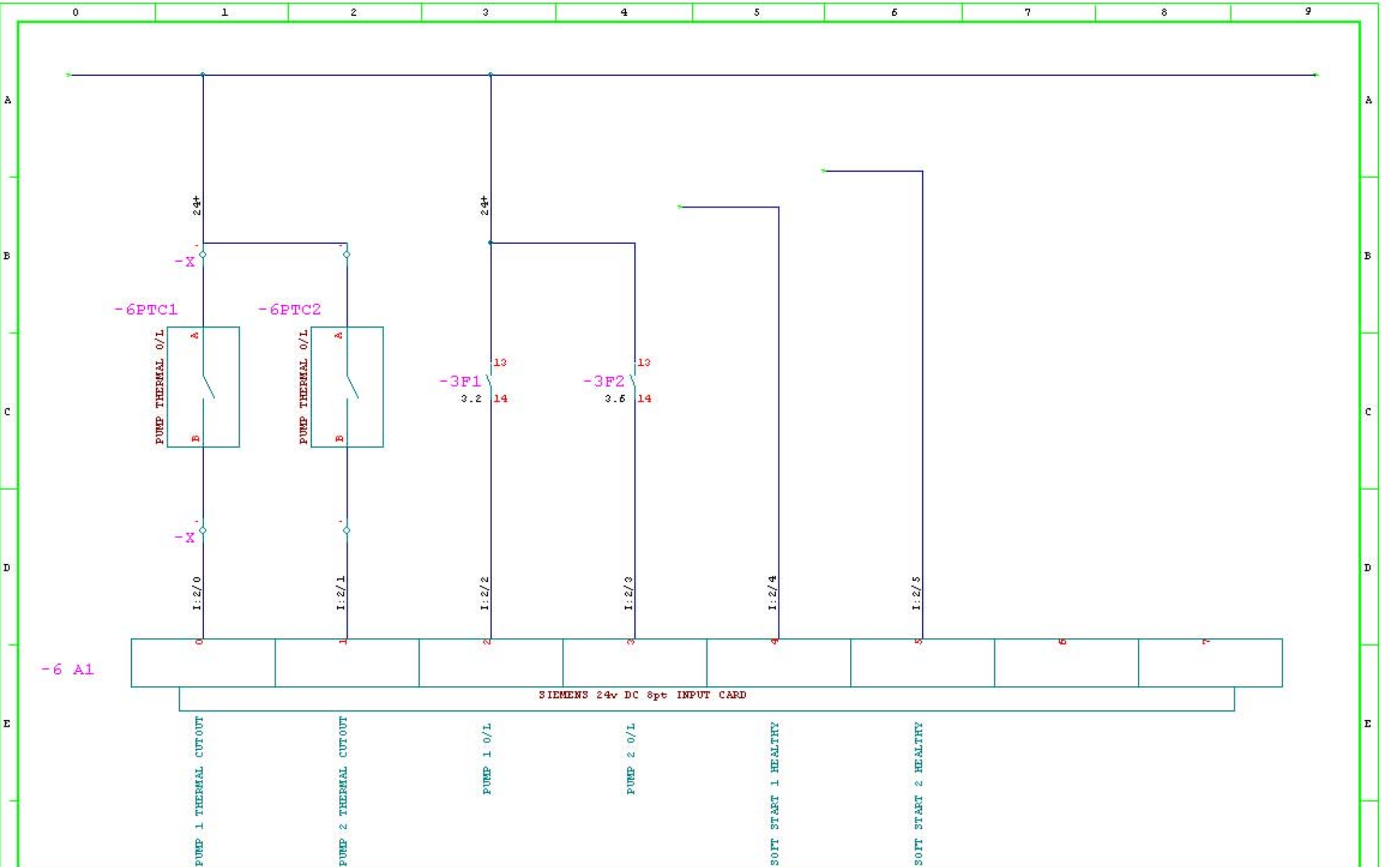


-5 A1

Rev'n	Rev'n detail	Date	Drawn by	Norm

Date: 26.02.2011  
 Drawn by: Ron Smith  
 Checked:   
 source:   
 substitute for:   
 replaced with:   
**EFFLUENT PUMP CONTROL**  
 Coca Cola Enterprises LTD  
 CCEP E&A STANDARDS REV 6



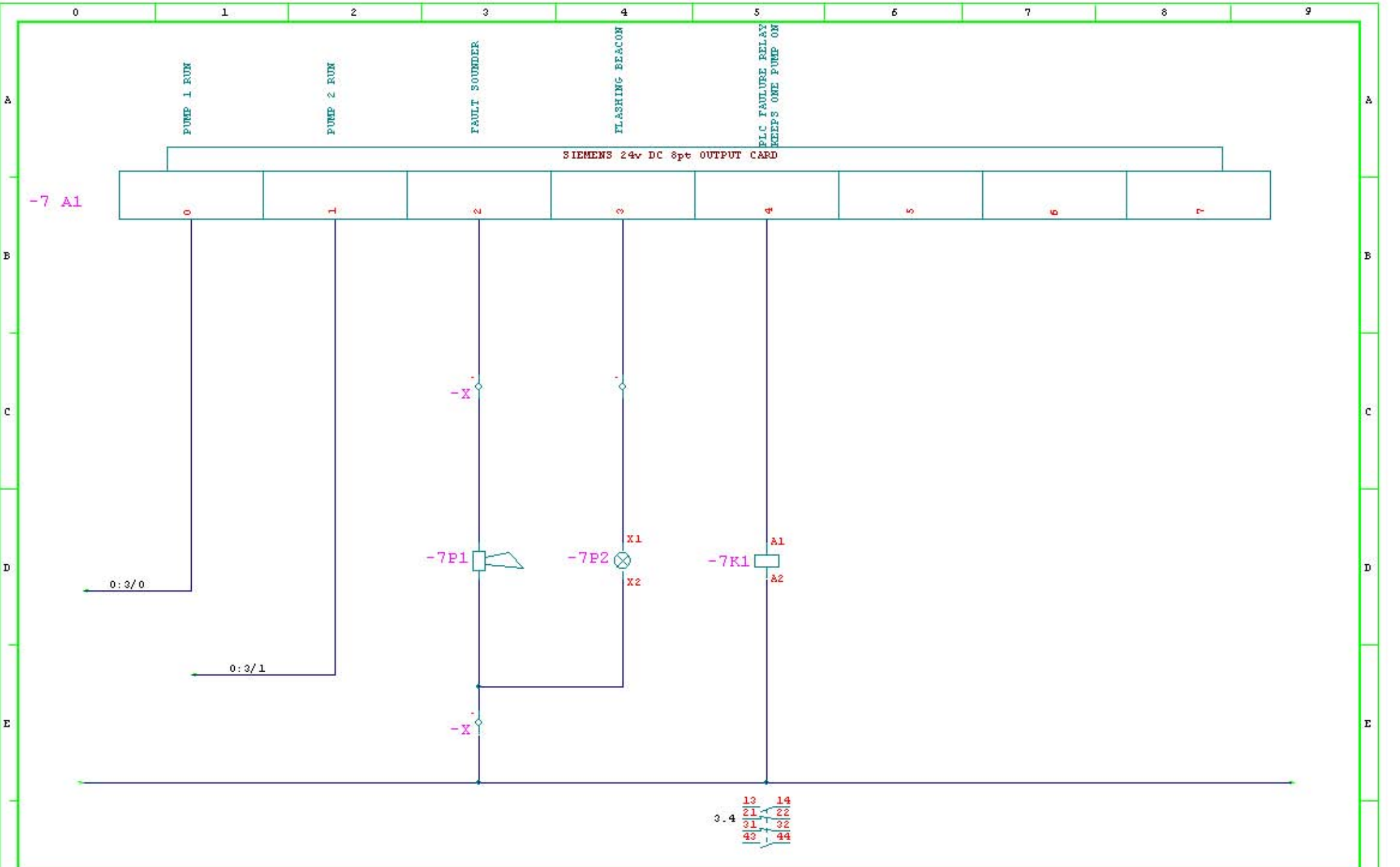



Date	26.02.2017			
Drawn by	Ben Smith			
Checked				
Rev'n	Rev'n detail	Date	Drawn by	Norm

**EFFLUENT PUMP CONTROL**  
 Coca Cola Enterprises LTD  
 CCEP E&A STANDARDS REV 6

source      substitute for      replaced with





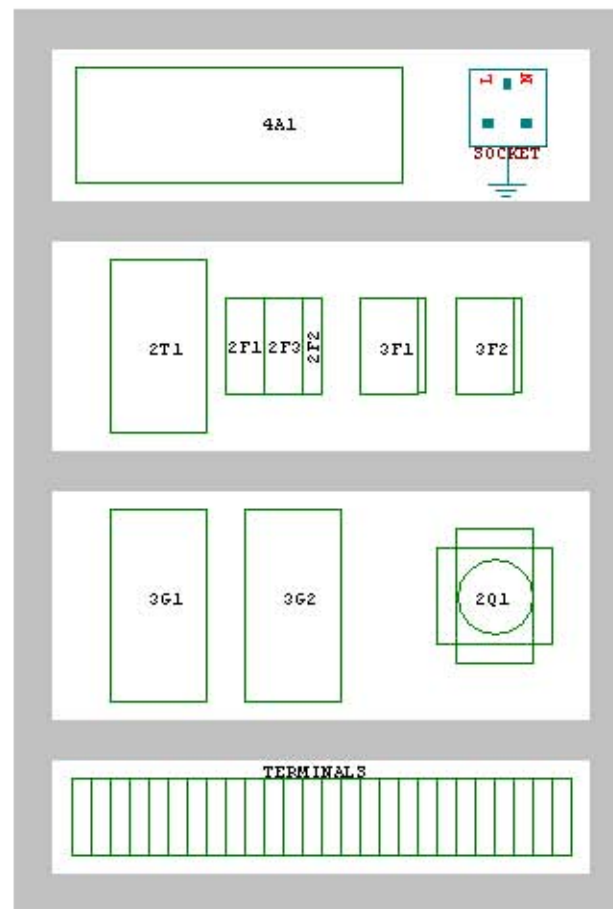
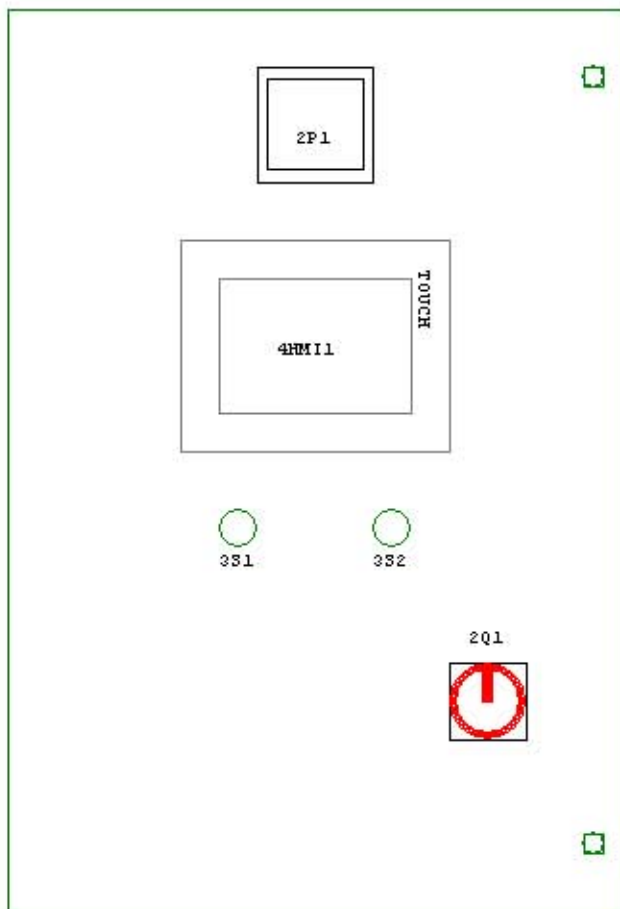
					Date	26.02.2017	EFFLUENT PUMP CONTROL						1597	=	
					Drawn by	Ben Smith	Coca Cola Enterprises LTD							+	
					Checked		CCEP E&A STANDARDS REV 6							page	7
Rev'n	Rev'n detail	Date	Drawn by	Norm	source	substitute for	replaced with					of	10 pg.		
0															
1															
2															
3															
4															
5															
6															
7															
8															
9															







# ENCLOSURE DEMENSIONS



Rev'n	Rev'n detail	Date	Drawn by	Norm
		26.02.2017	Ben Smith	

EFFLUENT PUMP CONTROL Coca Cola Enterprises LTD CCEP E&A STANDARDS REV 6		
source	substitute for	replaced with

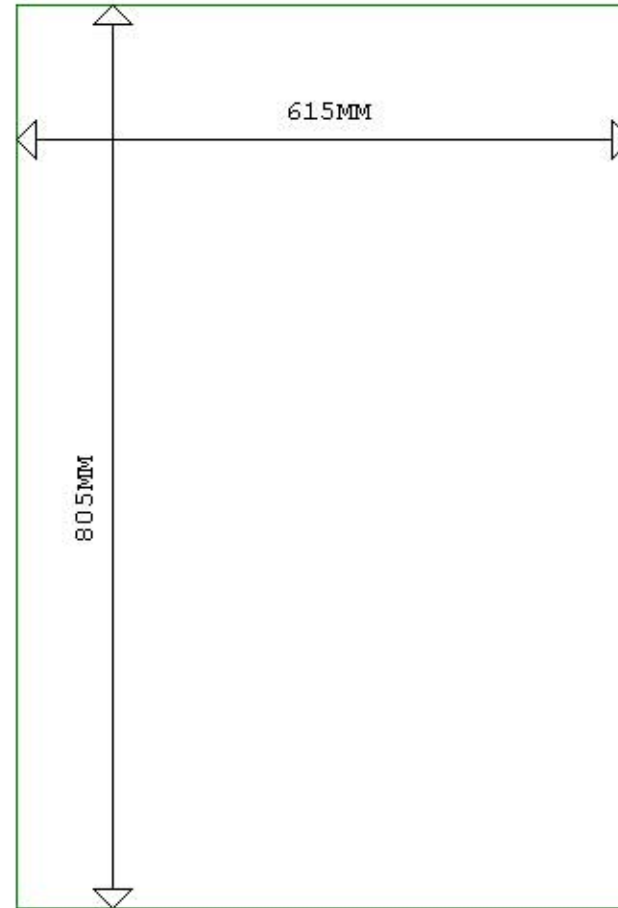
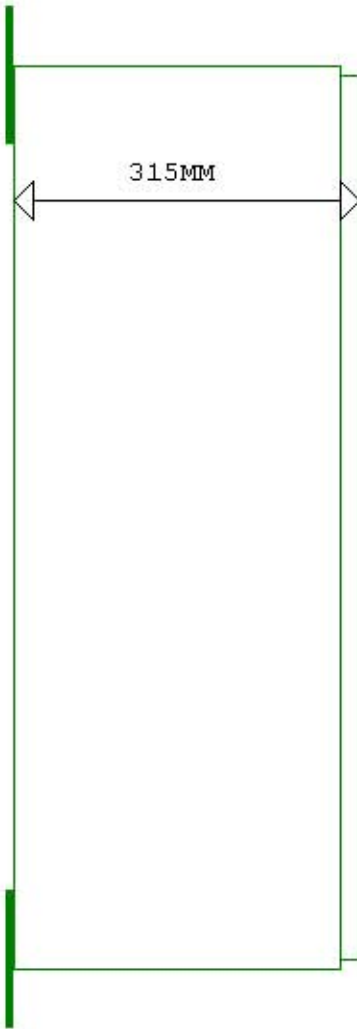


1597

=

+

## ENCLOSURE DEMENSIONS



				<b>Date</b>	26.02.2017	EFFLUENT PUMP CONTROL														
				<b>Drawn by</b>	Ben Smith	Coca Cola Enterprises LTD														
				<b>Checked</b>		CCEP E&A STANDARDS REV 6														
<b>Rev'n</b>	<b>Rev'n detail</b>	<b>Date</b>	<b>Drawn by</b>	<b>Norm</b>		<b>SOURCE</b>	<b>SUBSTITUTE FOR</b>	<b>REPLACED WITH</b>												
0				1		2	3	4	5	6	7	8	9							



1597